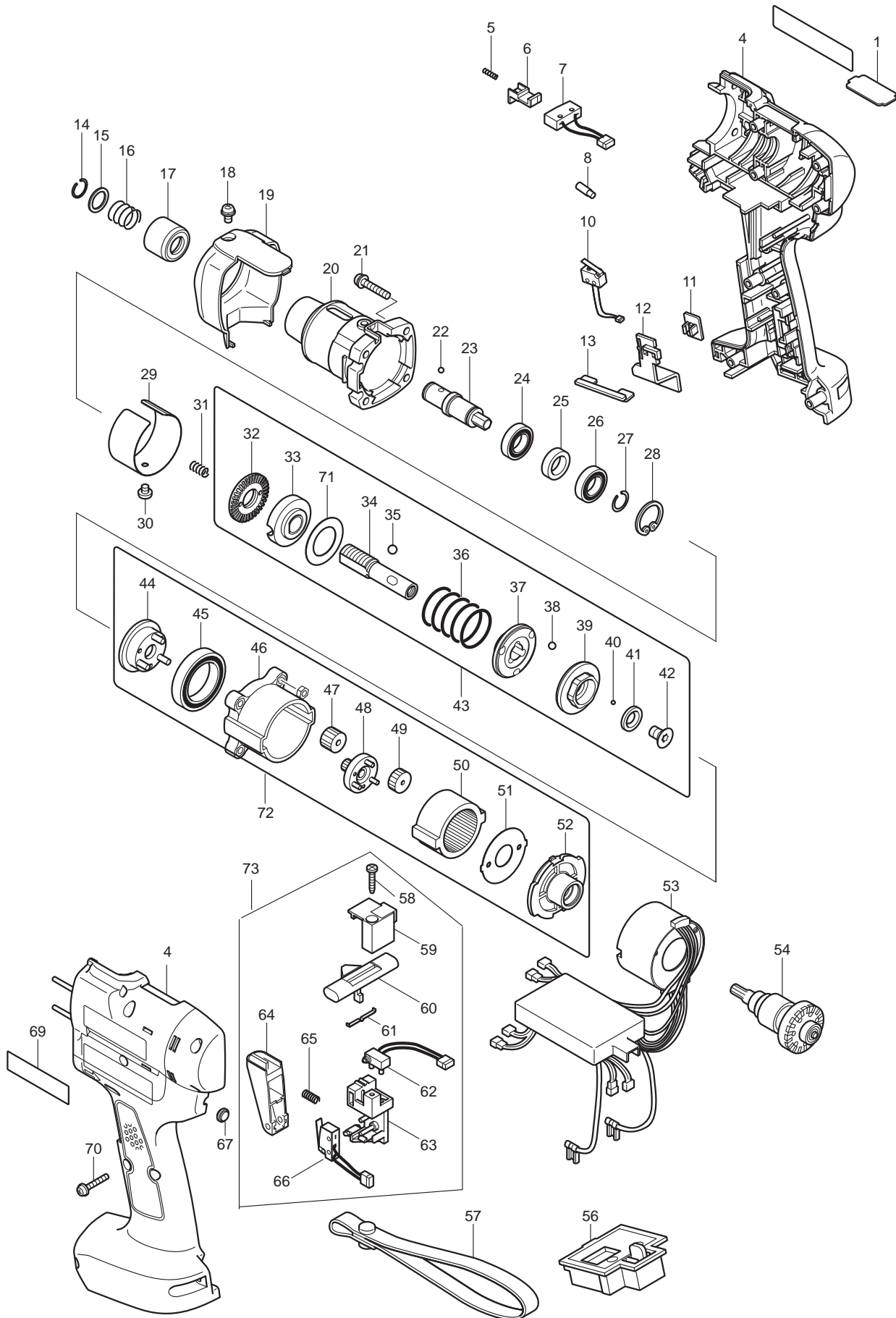




12 - 2010
BFH090SAE
12V DRIVER F/HAZARD LOCATION



Item No.	Type	Sub	Part No.	Description	Qty	Unit
1			345331-3	PLATE E	1	PC.
4			183770-7	HOUSING SET	1	PC.
		INC.	810033-5	CAUTION LABEL	1	PC.
		INC.	810034-3	CAUTION LABEL	1	PC.
		INC.		Item No. 68,69		
5			233025-1	COMPRESSION SPRING 2	1	PC.
6			418002-6	SWITCH LEVER	1	PC.
7			638274-9	SWITCH UNIT	1	PC.
8			263013-4	RUBBER PIN 4	1	PC.
10			638273-1	SWITCH UNIT	1	PC.
11			418210-9	SWITCH LEVER B	1	PC.
12			418208-6	LEVER GUIDE	1	PC.
13			418209-4	SPACER	1	PC.
14			231965-7	RING SPRING 10	1	PC.
15			267143-3	FLAT WASHER 11	1	PC.
16			233005-7	COMPRESSION SPRING 13	1	PC.
17			162218-2	SLEEVE	1	PC.
18	1		911108-4	PAN HEAD SCREW M4X8	1	PC.
	2		265171-2	PAN HEAD SCREW M4X8	1	PC.
19			418289-0	CLUTCH CASE COVER	1	PC.
20			317694-7	CLUTCH CASE	1	PC.
21	1		911143-2	PAN HEAD SCREW M4X22	4	PC.
	2		265145-3	+ PAN HEAD SCREW M4X22	4	PC.
22			216019-1	STEEL BALL 3	2	PC.
23			324377-2	SPINDLE M	1	PC.
24			211136-2	BALL BEARING 6801LLB	1	PC.
25			257011-8	RING 12	1	PC.
26			211136-2	BALL BEARING 6801LLB	1	PC.
27			231951-8	RING SPRING 11	1	PC.
28			962111-8	RETAINING RING R-21	1	PC.
29			345347-8	RING 38E	1	PC.
30			265127-5	+ PAN HEAD SCREW M4X4	1	PC.
31			233019-6	COMPRESSION SPRING 5	1	PC.
32			324834-0	LOCK NUT M12	1	PC.
33			158408-3	ADJUST RING COMPLETE	1	PC.
34			324296-2	SPINDLE	1	PC.
35			216018-3	STEEL BALL 5.0	3	PC.
36			233385-1	COMPRESSION SPRING 19D	1	PC.
37			223146-7	CAM D	1	PC.
38			216024-8	STEEL BALL 4	3	PC.
39			223139-4	CAM A	1	PC.
40			216019-1	STEEL BALL 3	13	PC.
41			267247-1	FLAT WASHER 7	1	PC.
42			266305-0	TORX C.S HEAD SCREW M5X10	1	PC.
43			125392-7	CLUTCH ASS'Y E	1	PC.
		INC.		Item No. 32-42,71		
44			153444-4	CARRIER COMPLETE B	1	PC.
45			211375-4	BALL BEARING 6805LLB	1	PC.
46			418004-2	GEAR CASE	1	PC.
47			227052-8	SPUR GEAR 18	3	PC.
48			153448-6	SPUR GEAR 9 COMPLETE B	1	PC.
49			227051-0	SPUR GEAR 19	3	PC.
50			227048-9	INTERNAL GEAR 47	1	PC.
51			267774-8	LOCK WASHER	1	PC.
52			418003-4	MOTOR BRACKET	1	PC.
53			631544-5	MOTOR CONTROL UNIT	1	PC.
54			619123-9	ROTOR	1	PC.

Item No.	Type	Sub	Part No.	Description	Qty	Unit
56			643983-7	TERMINAL	1	PC.
57			163400-6	HANDSTRAP	1	PC.
58			266130-9	TAPPING SCREW BIND PT 3X16	1	PC.
59			418204-4	COVER	1	PC.
60			418201-0	F/R CHANGE LEVER	1	PC.
61			232201-4	LEAF SPRING	1	PC.
62			638276-5	SWITCH UNIT	1	PC.
63			418202-8	SWITCH BASE	1	PC.
64			418203-6	SWITCH LEVER A	1	PC.
65			231397-8	COMPRESSION SPRING 4	1	PC.
66			638275-7	SWITCH UNIT	1	PC.
67			416764-0	LENS	1	PC.
69			819063-3	MAKITA LABEL	1	PC.
70			265095-2	PAN HEAD SCREW M3X20	8	PC.
71			267276-4	FLAT WASHER 18	1	PC.
72			125192-5	GEAR ASS'Y D	1	PC.
		INC.		Item No. 44-52		
73			125220-6	SWITCH ASS'Y	1	PC.
		INC.		Item No. 58-66		
<u>ACCESSORIES</u>						
A01	1		DC14SA	DC14SA CHARGER	1	PC.
	2		DC18SC	DC18SC CHARGER - N/L/A	1	PC.
	3		DC18RA	DC18RA CHARGER	1	PC.
			DC24SC	DC24SC CHARGER	1	PC.
A02	1		193346-2	12V NI-MH BATTERY BH1220 - N/L/A	2	PC.
	2		193928-0	12V NI-MH BATTERY BH1220C	2	PC.
A03			183664-6	STEEL CARRYING CASE	1	PC.
		INC.	819143-5	MAKITA LABEL	1	PC.
A04	1		765025-8	TORQUE ADJUST TOOL	1	PC.
	2		765027-4	TORQUE ADJUST TOOL	1	PC.